

# EXP-0100 & EXP-0300 (Expansions Modules)

Technical Data Sheet



**Submittal: HBX EXP-0100 & EXP-0300**

**Project: [ ]**

**HBX Control Systems Inc. - Specification**

## Part 1: EXP-0100/EXP-0300 Products

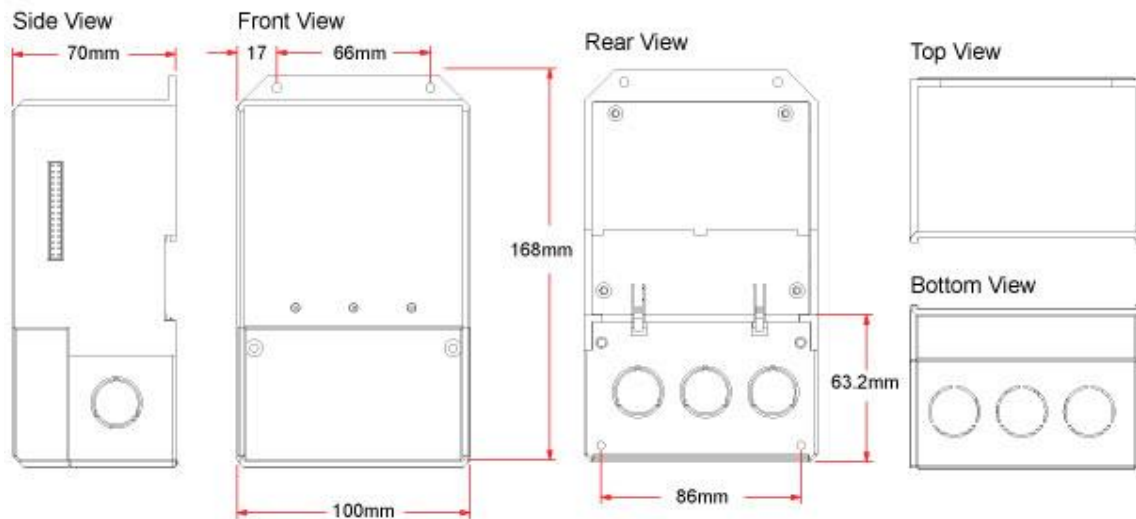
1. The Expansion Module Unit must be capable of directly interfacing (no cross-wiring) as an expansion module with HBX CPU-1000, and HBX ECO-1000 controls.
2. The Expansion Module Unit must be capable of adding the following Input/Output Functions to the HBX 1000 series control that it is connected to:
  - a. 2 x relay outputs (EXP-0100 – dry contacts, EXP-0300 – power contacts)
  - b. 1 x Powered Contact Demand Input
  - c. 1 x Thermistor Input
3. The Expansion Module Unit must be daisy chainable, with no cross-wiring required. Up to 6 EXP modules can be combined with an HBX CPU-1000 or ECO-1000 control.
4. The Expansion Module Unit must provide an interface for setpoint sensor feedback for auxiliary setpoints to be controlled by main Control.
5. The Expansion Module Unit must be ETL approved.

## Part 2: Acceptable Products

1. HBX EXP-0100/EXP-0300 Expansion Module Unit



### Part 3: Physical Dimensions



### Part 4: Technical Data, Main Parts & Labels

#### Inputs/Outputs:

- 1 x Thermistor Input (10 K Ohm)
- 2 x Power Contact Output (10A @120VAC) – EXP-0300
- 2 x Dry Contact Output (10A @ 120VAC) – EXP-0100
- 1 x Demand Signal Input (20-240VAC)

#### Power supply:

##### EXP-0300:

120 VAC, 10A

##### EXP-0100:

N/A

#### Supplied Parts:

32-Pin Connector 033-0037

#### Dimensions:

3.94" x 6.61" x 2.76" (100mm x 168mm x 70mm)



**ETL Listings:**

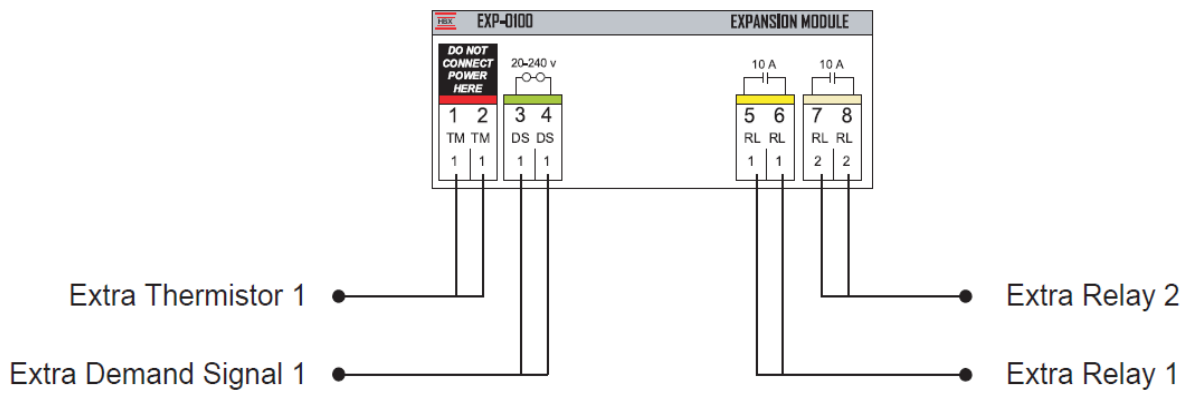
Meets CSA C22.2 No. 24  
Meets UL Standard 873  
ETL Control No. 3068143

**Storage:**

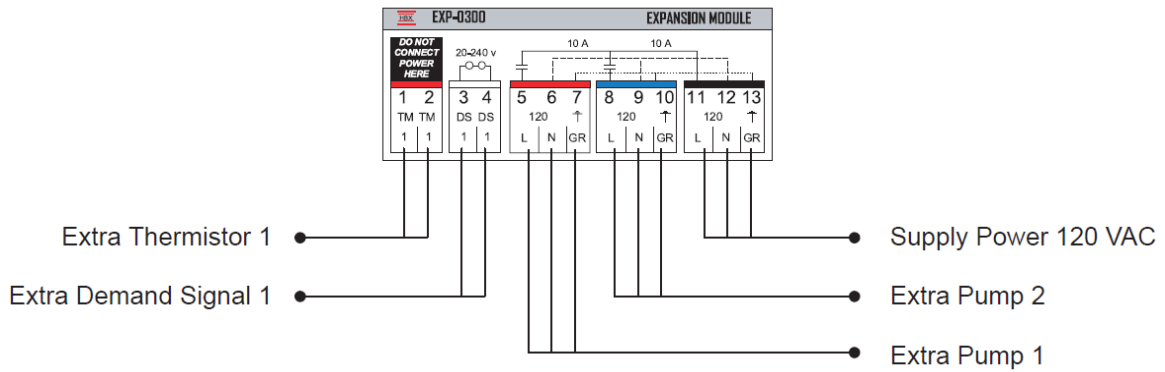
50°F to 104°F (10°C to 40°C)

**Terminal Block Labels:**

**EXP-0100:**



**EXP-0300:**



## Part 5: Connecting the EXP-0100/0300 Module:



Place the CPU-1000 or ECO-1000 and desired expansion modules on a flat surface. Align the 32-pin connector into the holes on the expansion module and gently push into place. Next slide the CPU-1000/ECO-1000 onto the 32-pin connector by carefully matching up the holes and pins. When installed correctly there is virtually no gap between units. With power applied to the assembly, the first (green) LED should be illuminated on each expansion module. This lit, green LED serves as confirmation of both electrical and communications continuity. When used as an expansion module, the ZON-0500 must be enabled in the “Control Options” menu.

